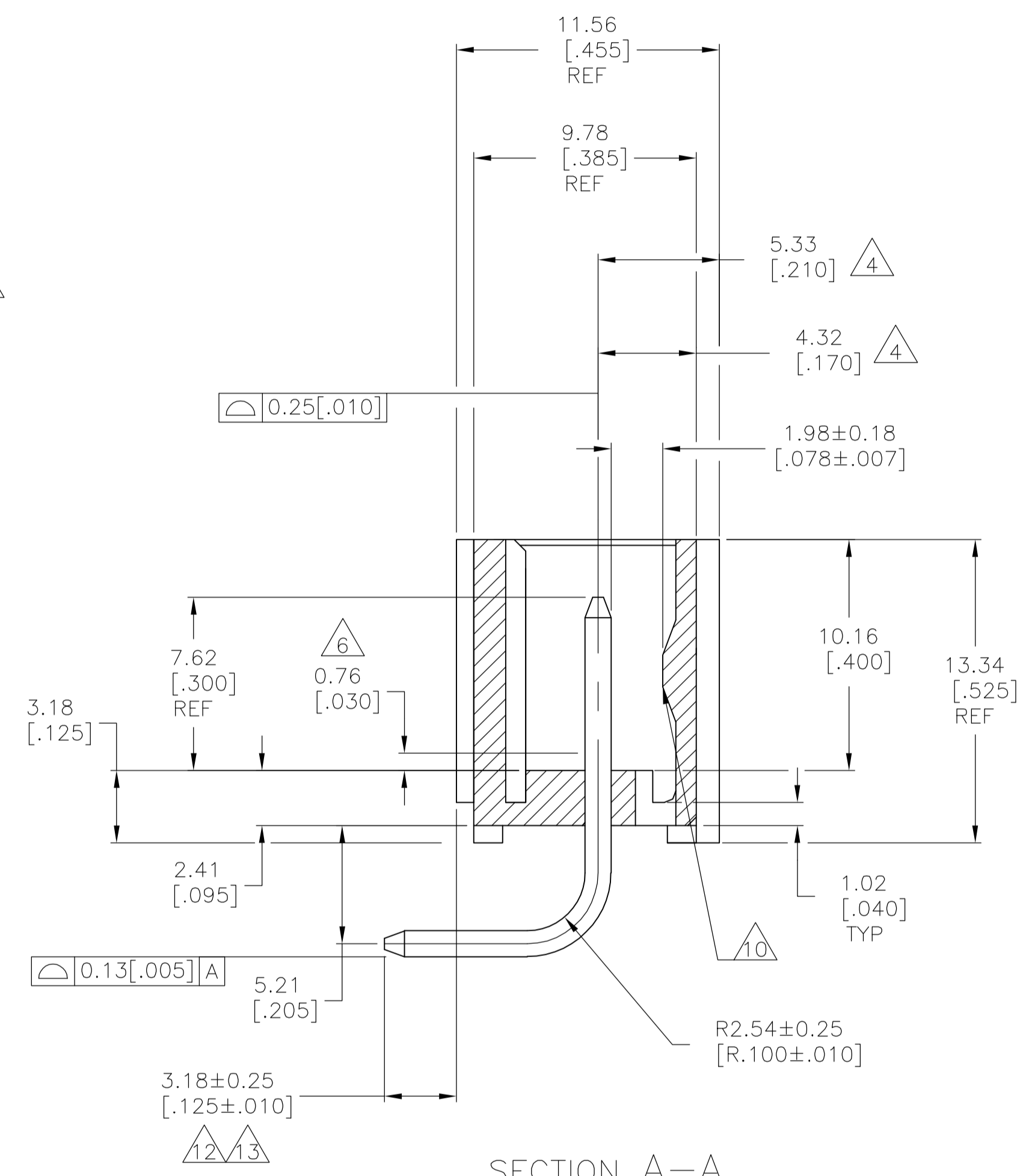
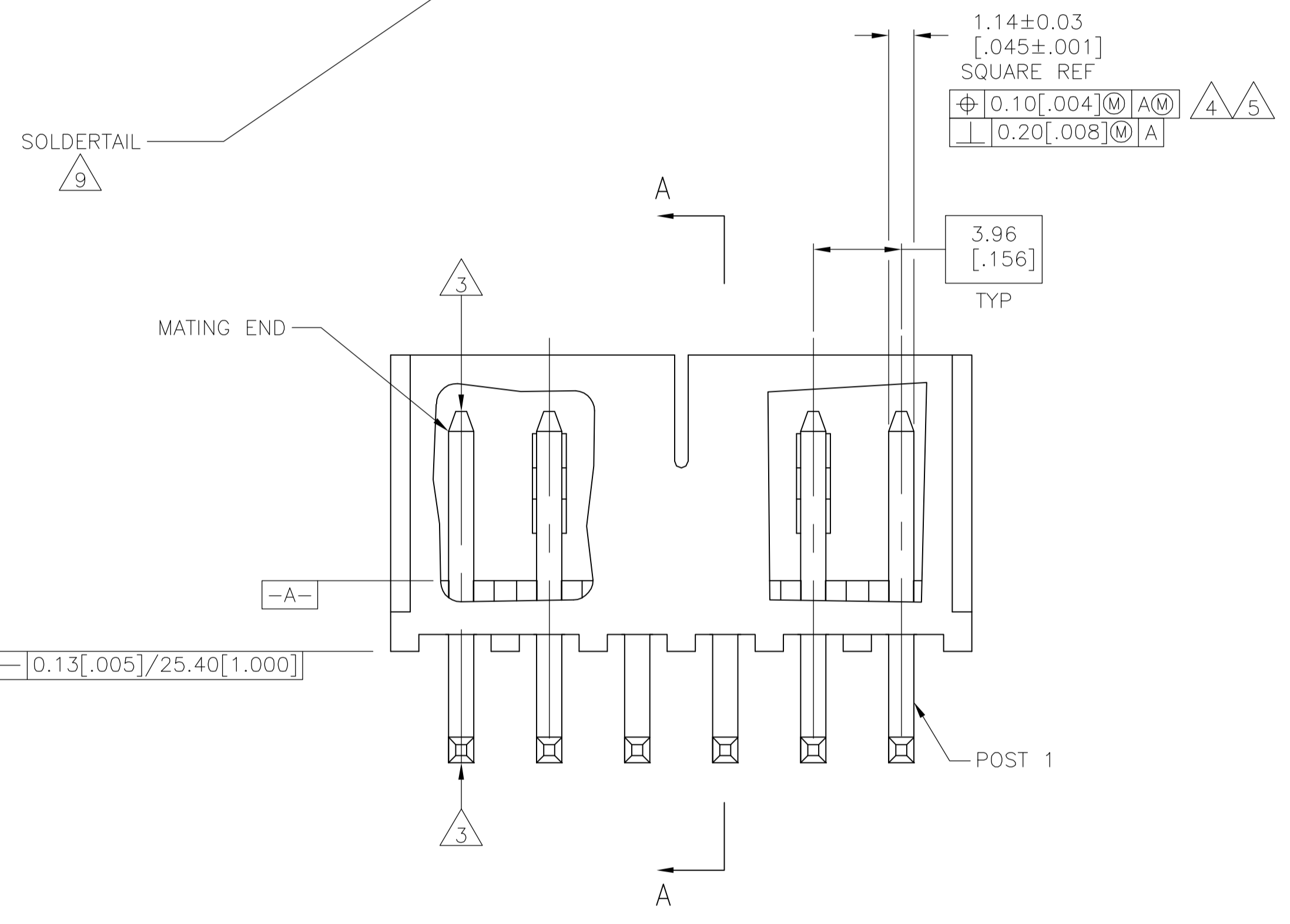
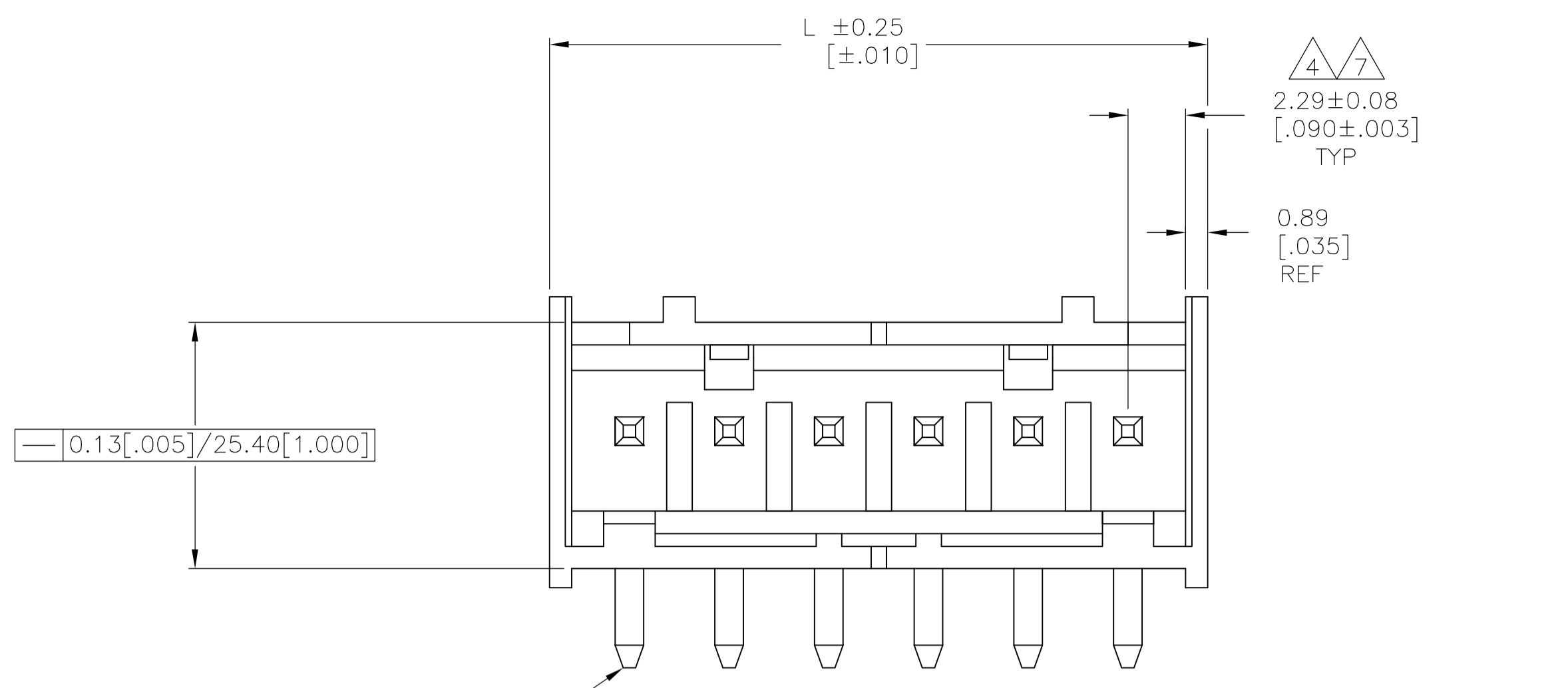
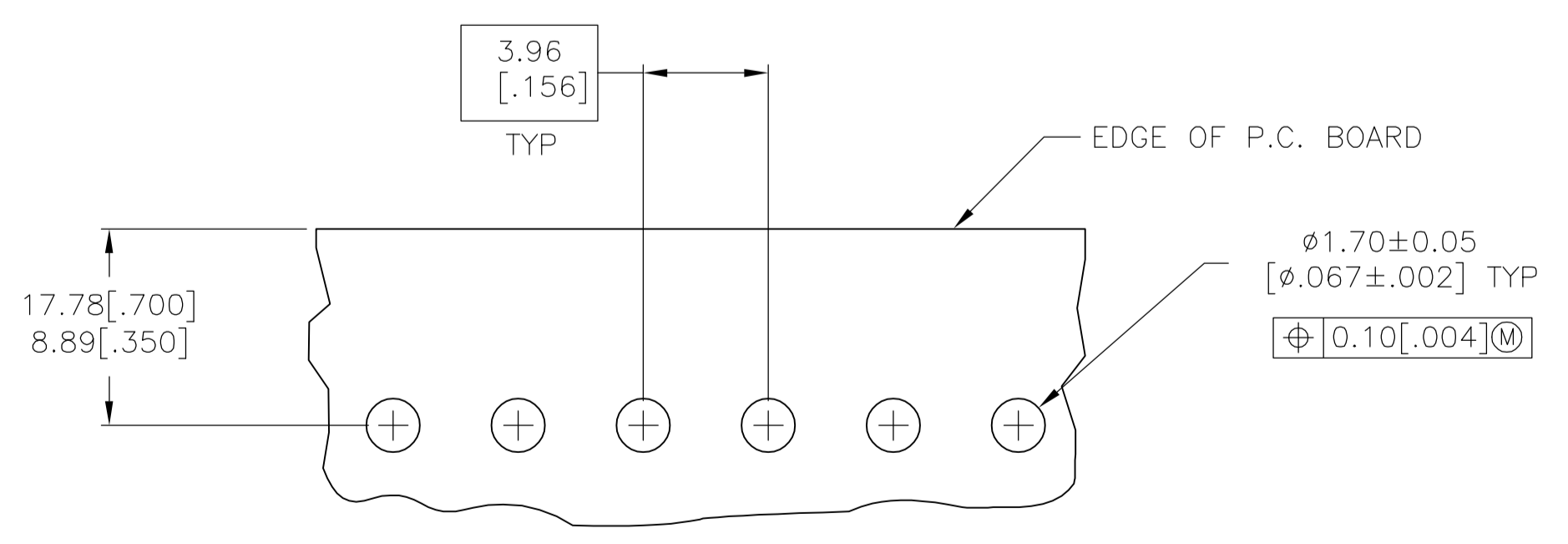
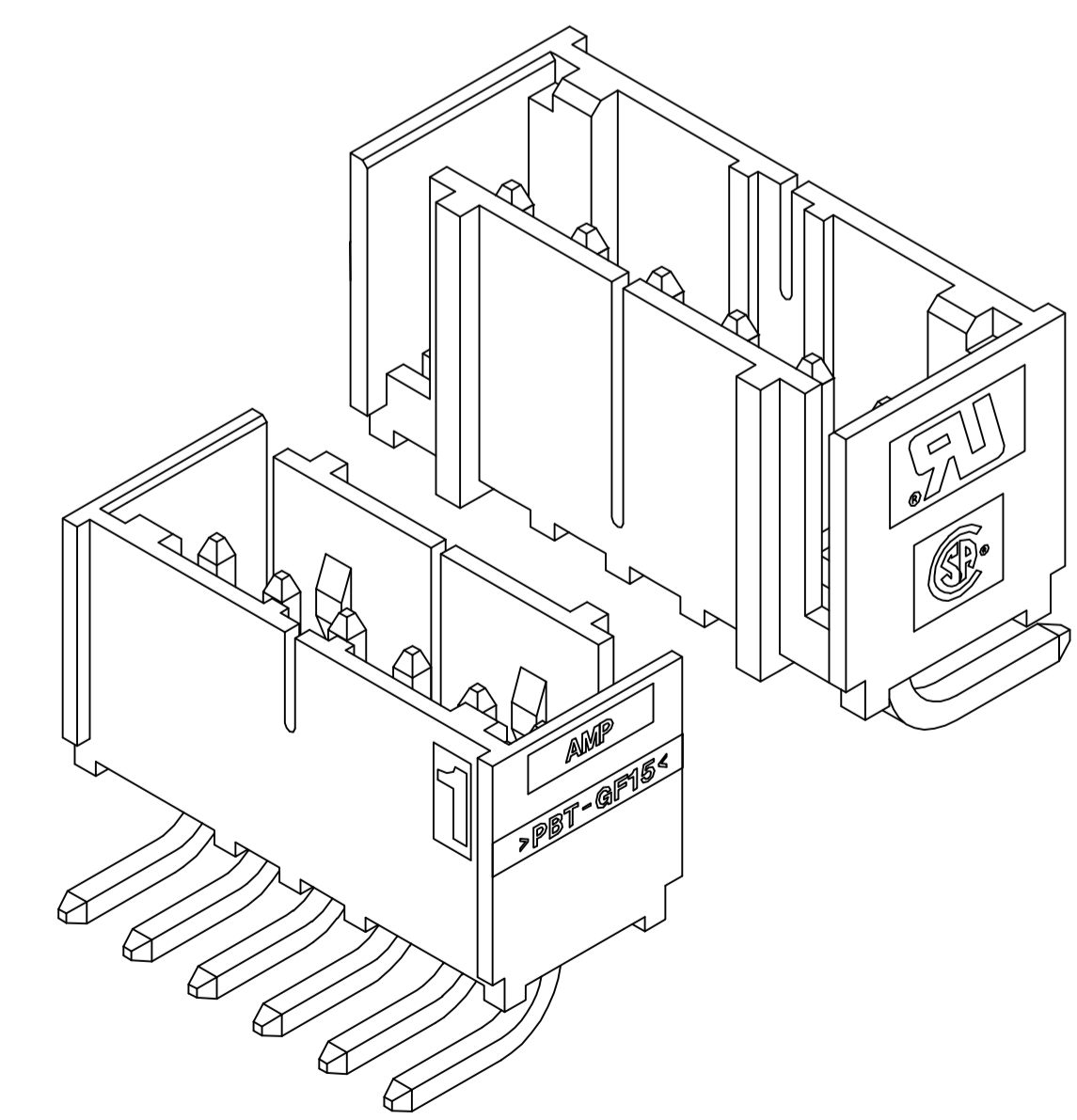
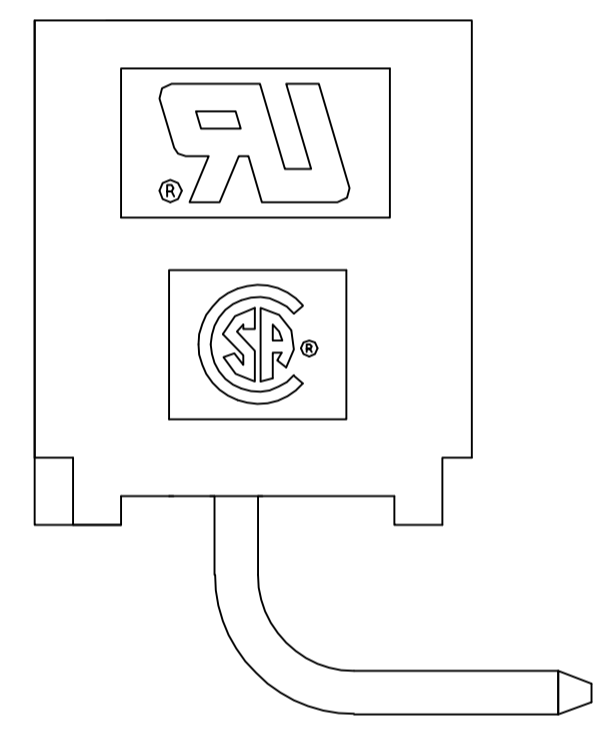


LOC		DIST		REVISIONS			
CM	0	REV	DATE	BY	APP'D		
D	EC 063B 1113 04		28DEC05	BSV	DB		



- 1 MATERIAL:
HOUSING - THERMOPLASTIC POLYESTER, GLASS FILLED, UL94-0.
POST - COPPER ALLOY
- 2 FINISH:
HOUSING - BLACK
POST - SEE NOTES 12 AND 13.
- 3 POST TO WITHSTAND 3LBS (16N) MIN AXIAL FORCE IN THIS DIRECTION WITHOUT DISLODGING.
- 4 APPLIES AT -A-.
- 5 APPLIES WHEN HEADER IS STRAIGHT.
- 6 PLASTIC PROJECTIONS PERMITTED IN THIS ZONE.
- 7 COORDINATE DIMENSIONS APPLIES FROM CENTER OF ACTUAL FEATURE.
- 8 SOLDER SIDE OF BOARD IS SHOWN.
- 9 POST SOLDER TAIL MUST COMPLY WITH AMP SOLDERABILITY SPEC 109-11-2.
- 10 LATCH DETENT FEATURE APPEARS 1 PLACE ON EACH END OF PART (MAX OF 2 PER PART) ON ALL POSITIONS 4 THRU 12. THE LATCH APPEARS ONLY ONE PLACE ON 2 & 3 POSITION PARTS.
11. DIMENSIONS IN BRACKETS ARE IN INCHES.
- 12 BRIGHT TIN LEAD (93/7) PLATE 0.00381 - 0.00889 [$.000150 - .000350$] THICK, OVER NICKEL UNDERPLATE 0.00127 [$.000050$] MIN THICK.
- 13 MATTE TIN PLATE 0.00381 - 0.00889 [$.000150 - .000350$] THICK, OVER NICKEL UNDERPLATE 0.00127 [$.000050$] MIN THICK.



647125-6 SHOWN

PLATING	MM	IN	NO. OF POSN	PART NUMBER	
					L
13	49.94	1.966	12	3-647125-2	
	45.97	1.810	11	3-647125-1	
	42.01	1.654	10	3-647125-0	
	38.05	1.498	9	2-647125-9	
	34.09	1.342	8	2-647125-8	
	30.12	1.186	7	2-647125-7	
	26.16	1.030	6	2-647125-6	
	22.20	.874	5	2-647125-5	
	18.24	.718	4	2-647125-4	
	14.27	.562	3	2-647125-3	
	10.31	.406	2	2-647125-2	
	12	49.94	1.966	12	1-647125-2
		45.97	1.810	11	1-647125-1
42.01		1.654	10	1-647125-0	
38.05		1.498	9	647125-9	
34.09		1.342	8	647125-8	
30.12		1.186	7	647125-7	
26.16	1.030	6	647125-6		
22.20	.874	5	647125-5		
18.24	.718	4	647125-4		
14.27	.562	3	647125-3		
10.31	.406	2	647125-2		

METRIC

THIS DRAWING IS A CONTROLLED DOCUMENT.		DWG: B. LEWIS 17JUN98	Tyco Electronics Corporation Harrisburg, PA 17105-3608	
DIMENSIONS: mm [INCHES]		CHK: R. SWING 17JUN98	NAME: MTA-156 SHROUDED HEADER ASSEMBLY, RIGHT ANGLE FRONT BEND .045 SQUARE POST, TIN, W/O RETENTION PEG	
TOLERANCES UNLESS OTHERWISE SPECIFIED:		APP'D: D. CLARK 17JUN98	PRODUCT SPEC: APPLICATION SPEC	
0 PLC	± .005	SIZE: A1		
1 PLC	± .005	WEIGHT: 00779		
2 PLC	± .005	SCALE: 5:1		
3 PLC	± .005	SHEET: 1 OF 1		
4 PLC	± .005	REV: D		
ANGLES	± .005	CUSTOMER DRAWING		
FINISH	-	SCALE: 5:1		